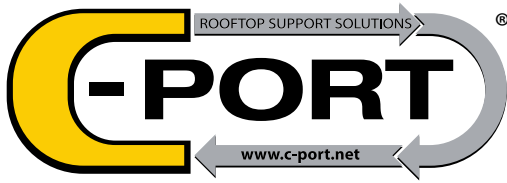


WE SUPPORT YOU!

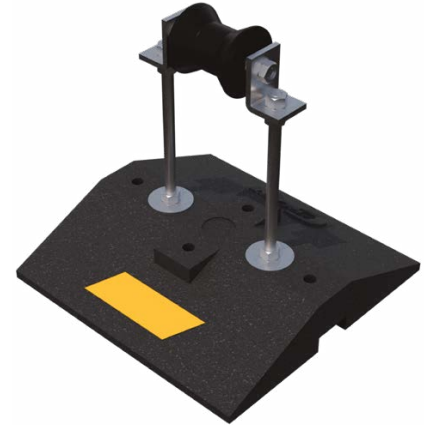
SCAN FOR V-SPEC
VIDEO SPECIFICATION



CREW SERIES

- CREW Roller Support (Extension) Series
- Non-penetrating rooftop support
- Built on C-Port's wide-body base for increased stability and load-bearing capacity
- Height to roller centre adjustable from 6" to 16"
- Designed to provide elevated support for gas and refrigeration piping
- Accommodates longitudinal pipe movement
- Suitable for most types of roofing materials or other flat surfaces

 CONSULT WITH A ROOFING CONSULTANT FOR ALLOWABLE LOADS.



LIMITED LIFETIME WARRANTY

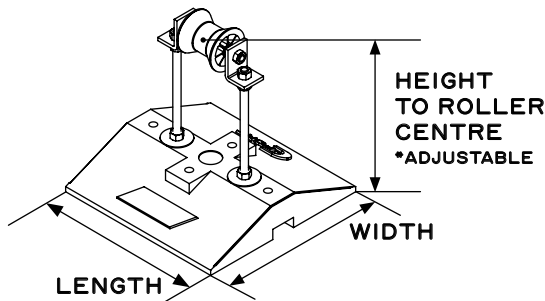
MAY QUALIFY FOR L.E.E.D CREDITS

RECOMMENDED SPACING: REFER TO LOCAL CODE



SKU	PIPE SIZE	MAX. HEIGHT TO ROLLER CENTRE	WIDTH	LENGTH	WEIGHT	MAX. LOAD
CREW12-12-3	UP TO 3"	12" (305MM)	12" (305MM)	12" (305MM)	12.2 LBS	400 LBS
CREW12-12-4	3" TO 4"	12" (305MM)	12" (305MM)	12" (305MM)	12.2 LBS	400 LBS
CREW12-12-6	4" TO 6"	12" (305MM)	12" (305MM)	12" (305MM)	13.1 LBS	200 LBS
CREW12-16-3	UP TO 3"	16" (406MM)	12" (305MM)	12" (305MM)	12.6 LBS	400 LBS
CREW12-16-4	3" TO 4"	16" (406MM)	12" (305MM)	12" (305MM)	12.7 LBS	400 LBS
CREW12-16-6	4" TO 6"	16" (406MM)	12" (305MM)	12" (305MM)	13.5 LBS	200 LBS

Note: All measurements may vary by +/- 3%



MATERIALS

BASE (C-PORT CXW12):
100% RECYCLED RUBBER,
UV RESISTANT

ROLLER:
TPO
(THERMOPLASTIC POLYOLEFIN)

ROD:
1/2"-13
ZINC-PLATED
ALL-THREADED



info@clearline.ca | 1-866-444-0009 | www.c-port.net