

WE SUPPORT YOU!

SCAN FOR V-SPEC
VIDEO SPECIFICATION



DS SERIES

- DS Duct Support Series
- Non-penetrating rooftop support
- Designed to support HVAC ductwork
- Fixed dimensions for quick installation
- Double CXP2 bases for increased stability
- Includes 4-hole 90° fittings for crossbeam support
- 8-hole wing fittings connect vertical struts to the bases
- Suitable for most types of roofing materials or other flat surfaces
- Strut is available in corrosion-resistant galvanized steel, stainless steel, or aluminum



**LIMITED
LIFETIME WARRANTY**

**MAY QUALIFY FOR
L.E.E.D CREDITS**

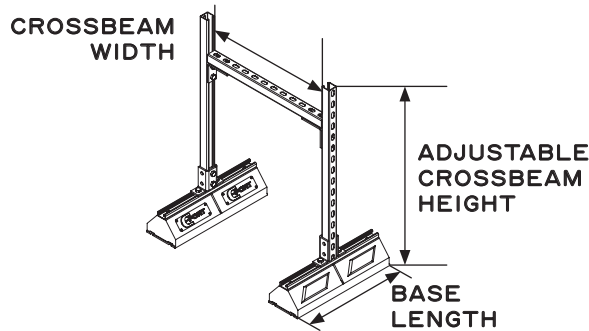
**RECOMMENDED SPACING:
REFER TO LOCAL CODE**



 **CONSULT WITH A ROOFING CONSULTANT
FOR ALLOWABLE LOADS.**

SKU	CROSSBEAM HEIGHT	CROSSBEAM WIDTH	BASE LENGTH	WEIGHT	MAX. UNIFORM LOAD
DS20-3624	UP TO 36" (914MM)	24" (610MM)	19.3" (490MM)	44.2 LBS	1400 LBS
DS20-3640	UP TO 36" (914MM)	40" (1016MM)	19.3" (490MM)	46.6 LBS	850 LBS
DS20-4840	UP TO 48" (1219MM)	40" (1016MM)	19.3" (490MM)	50.2 LBS	850 LBS

Note: All measurements may vary by +/- 3%



MATERIALS

BASE (C-PORT CXP2):
100% RECYCLED RUBBER, UV RESISTANT

STRUT:
14-GAUGE GALVANIZED STEEL STRUT
(13/16" HIGH)

CROSSBEAM AND VERTICAL STRUT:
12-GAUGE GALVANIZED STEEL STRUT
(1 5/8" WIDE X 1 5/8" HIGH)



info@clearline.ca | 1-866-444-0009 | www.c-port.net

Revision Date: 03/2026