

**WE SUPPORT YOU!**

SCAN FOR V-SPEC  
VIDEO SPECIFICATION



# DSW SERIES

- DSW Duct Support Series
- Non-penetrating rooftop support
- Designed to support HVAC ductwork
- Fixed dimensions for quick installation
- Double CXW24 bases for increased stability
- Includes 4-hole 90° fittings for crossbeam support
- 8-hole wing fittings connect vertical struts to the bases
- Suitable for most types of roofing materials or other flat surfaces
- Strut is available in corrosion-resistant galvanized steel, stainless steel, or aluminum



**LIMITED  
LIFETIME WARRANTY**

**MAY QUALIFY FOR  
L.E.E.D CREDITS**

**RECOMMENDED SPACING:  
REFER TO LOCAL CODE**

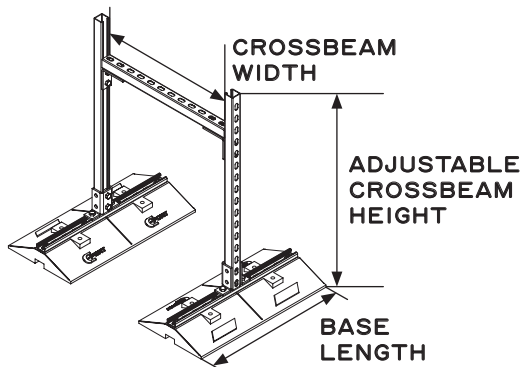


CONSULT WITH A ROOFING CONSULTANT  
FOR ALLOWABLE LOADS.



SKU	CROSSBEAM HEIGHT	CROSSBEAM WIDTH	BASE LENGTH	WEIGHT	MAX. UNIFORM LOAD
DSW24-3624	UP TO 36" (914MM)	24" (610MM)	24" (610MM)	59.6 LBS	1400 LBS
DSW24-3640	UP TO 36" (914MM)	40" (1016MM)	24" (610MM)	62 LBS	850 LBS
DSW24-4840	UP TO 48" (1219MM)	40" (1016MM)	24" (610MM)	65.6 LBS	850 LBS

**Note:** All measurements may vary by +/- 3%



## MATERIALS

**BASE (C-PORT CXW24):**  
100% RECYCLED RUBBER, UV RESISTANT

**STRUT:**  
14-GAUGE GALVANIZED STEEL STRUT  
(13/16" HIGH)

**CROSSBEAM AND VERTICAL STRUT:**  
12-GAUGE GALVANIZED STEEL STRUT  
(1 5/8" WIDE X 1 5/8" HIGH)



**Clearline™**  
TECHNOLOGIES

info@clearline.ca

1-866-444-0009

www.c-port.net

Revision Date: 03/2026