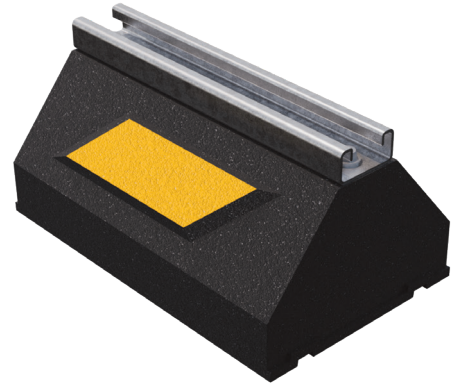


WE SUPPORT YOU!

SCAN FOR V-SPEC
VIDEO SPECIFICATION



C SERIES



- C Series Channel Support
- Non-penetrating rooftop support
- Designed to support gas and refrigeration piping, cable trays, electrical conduit, HVAC equipment, and multiple-line rooftop systems
- Suitable for most types of roofing materials or other flat surfaces
- Accepts various straps and/or clamps (sold and supplied by others)
- Strut is available in corrosion-resistant galvanized steel, stainless steel, or aluminum

**LIMITED
LIFETIME WARRANTY**

**MAY QUALIFY FOR
L.E.E.D CREDITS**

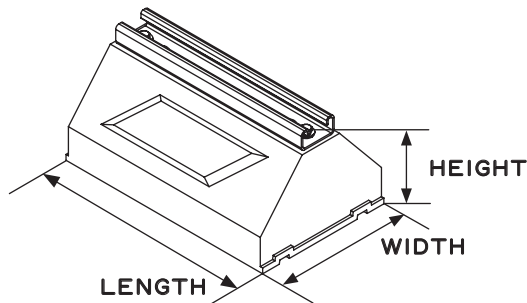
**RECOMMENDED SPACING:
REFER TO LOCAL CODE**

 **CONSULT WITH A ROOFING CONSULTANT
FOR ALLOWABLE LOADS.**



SKU	HEIGHT	WIDTH	LENGTH	WEIGHT	MAX. LOAD
C10	4.8" (122MM)	6" (152MM)	9.5" (241MM)	5.6 LBS	800 LBS PER 9.5" LENGTH
C20	4.8" (122MM)	6" (152MM)	19.3" (490MM)	11.5 LBS	
C30	4.8" (122MM)	6" (152MM)	29" (737MM)	17.4 LBS	
C40	4.8" (122MM)	6" (152MM)	38.8" (986MM)	23.2 LBS	
C48	4.8" (122MM)	6" (152MM)	48.5" (1232MM)	29 LBS	

Note: All measurements may vary by +/- 3%



MATERIALS

BASE (C-PORT CXP):
100% RECYCLED RUBBER, UV RESISTANT

STRUT:
14-GAUGE GALVANIZED STEEL STRUT
(13/16" HIGH)



info@clearline.ca | 1-866-444-0009 | www.c-port.net

Revision Date: 03/2026