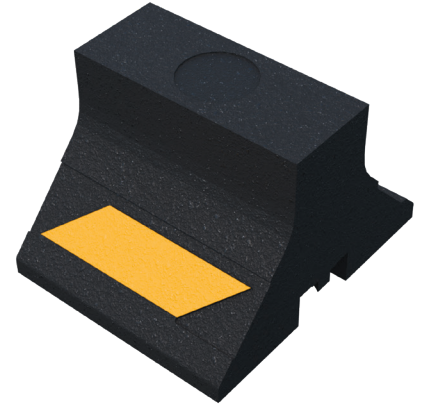


WE SUPPORT YOU!

SCAN FOR V-SPEC
VIDEO SPECIFICATION



CXM SERIES




- CXM Rubber Base Support Series
- Non-penetrating rooftop support
- Designed to support small conduit and piping across solar, telecom, and a wide range of rooftop applications
- Suitable for most types of roofing materials or other flat surfaces
- Accepts screw fasteners for straps and/or clamps (sold and supplied by others)

LIMITED
LIFETIME WARRANTY

MAY QUALIFY FOR
L.E.E.D CREDITS

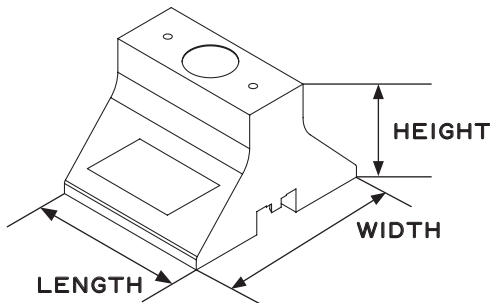
RECOMMENDED SPACING:
REFER TO LOCAL CODE

 CONSULT WITH A ROOFING CONSULTANT
FOR ALLOWABLE LOADS.



SKU	HEIGHT	WIDTH	LENGTH	WEIGHT	MAX. LOAD
CXM	4" (102MM)	6" (152MM)	5" (127MM)	2.3 LBS	200 LBS
CXM20	4" (102MM)	6" (152MM)	10" (254MM)	4.7 LBS	400 LBS

Note: All measurements may vary by +/- 3%



MATERIALS

BASE:
100% RECYCLED RUBBER,
UV RESISTANT



ClearlineTM
TECHNOLOGIES

info@clearline.ca

1-866-444-0009

www.c-port.net

Revision Date: 03/2026