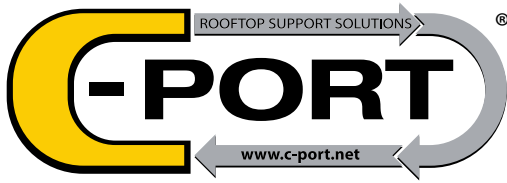


**WE SUPPORT YOU!**

SCAN FOR V-SPEC  
VIDEO SPECIFICATION



# CS SERIES



- CS Vari-Angle Series
- Non-penetrating rooftop support
- Designed to support ductwork, walkways, HVAC equipment, and a wide range of rooftop applications
- Installs on sloped or uneven surfaces
- Adapter leg accommodates 1 5/8" x 1 5/8" steel strut for framing
- Suitable for most types of roofing materials, including sloped surfaces
- Strut is available in corrosion-resistant galvanized steel, stainless steel, or aluminum

**LIMITED LIFETIME WARRANTY**

**MAY QUALIFY FOR L.E.E.D CREDITS**

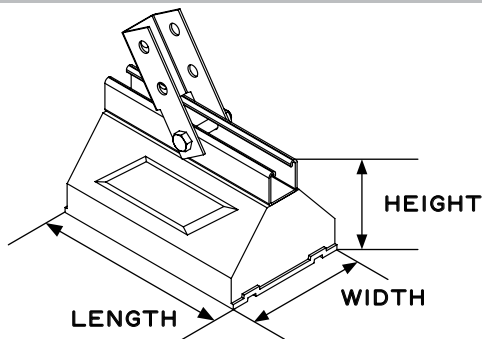
**RECOMMENDED SPACING: REFER TO LOCAL CODE**

 **CONSULT WITH A ROOFING CONSULTANT FOR ALLOWABLE LOADS.**



SKU	HEIGHT	WIDTH	LENGTH	WEIGHT	MAX. LOAD
CS10	5.6" (142MM)	6" (152MM)	9.5" (241MM)	7.4 LBS	800 LBS PER 9.5" LENGTH
CS20	5.6" (142MM)	6" (152MM)	19.3" (490MM)	13.9 LBS	
CS30	5.6" (142MM)	6" (152MM)	29" (737MM)	20.3 LBS	
CS40	5.6" (142MM)	6" (152MM)	38.8" (986MM)	26.8 LBS	
CS48	5.6" (142MM)	6" (152MM)	48.5" (1232MM)	33.2 LBS	

**Note:** All measurements may vary by +/- 3%



### MATERIALS

**BASE (C-PORT CXP):**  
100% RECYCLED RUBBER, UV RESISTANT

**STRUT:**  
12-GAUGE GALVANIZED STEEL  
(1 5/8" HIGH)

**VARI-ANGLE BRACKET:**  
1 7/8" X 1 7/8" 12-GAUGE GALVANIZED STEEL



**Clearline**  
TECHNOLOGIES

info@clearline.ca

1-866-444-0009

www.c-port.net