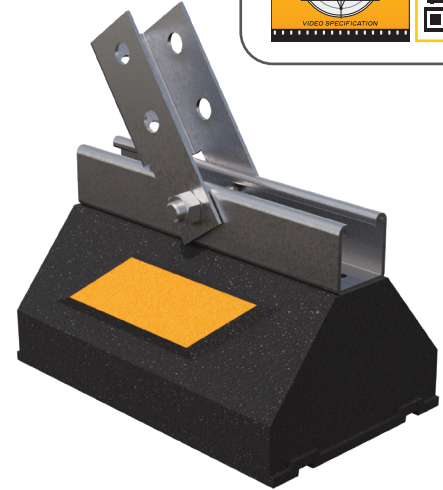


WE SUPPORT YOU!

SCAN FOR V-SPEC
VIDEO SPECIFICATION



CS SERIES



- CS Vari-Angle Series
- Non-penetrating rooftop support
- Designed to support ductwork, walkways, HVAC equipment, and a wide range of rooftop applications
- Installs on sloped or uneven surfaces
- Adapter leg accommodates 1 5/8" x 1 5/8" steel strut for framing
- Suitable for most types of roofing materials, including sloped surfaces
- Strut is available in corrosion-resistant galvanized steel, stainless steel, or aluminum

LIMITED LIFETIME WARRANTY

MAY QUALIFY FOR L.E.E.D CREDITS

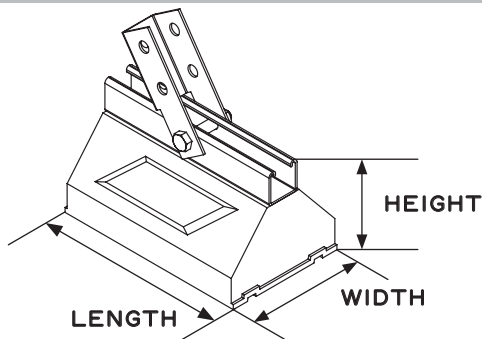
RECOMMENDED SPACING: REFER TO LOCAL CODE

 **CONSULT WITH A ROOFING CONSULTANT FOR ALLOWABLE LOADS.**



SKU	HEIGHT	WIDTH	LENGTH	WEIGHT	MAX. LOAD
CS10	5.6" (142MM)	6" (152MM)	9.5" (241MM)	7.4 LBS	800 LBS PER 9.5" LENGTH
CS20	5.6" (142MM)	6" (152MM)	19.3" (490MM)	13.9 LBS	
CS30	5.6" (142MM)	6" (152MM)	29" (737MM)	20.3 LBS	
CS40	5.6" (142MM)	6" (152MM)	38.8" (986MM)	26.8 LBS	
CS48	5.6" (142MM)	6" (152MM)	48.5" (1232MM)	33.2 LBS	

Note: All measurements may vary by +/- 3%



MATERIALS

BASE (C-PORT CXP):
100% RECYCLED RUBBER, UV RESISTANT

STRUT:
12-GAUGE GALVANIZED STEEL STRUT (1 5/8" HIGH)

VARI-ANGLE BRACKET:
1 7/8" X 1 7/8" 12-GAUGE GALVANIZED STEEL



Clearline
TECHNOLOGIES

info@clearline.ca

1-866-444-0009

www.c-port.net