

WE SUPPORT YOU!

SCAN FOR V-SPEC
VIDEO SPECIFICATION



CSE SERIES

- CSE Copper Tube and Steel Pipe Series
- Non-penetrating rooftop support
- Designed to provide elevated support for lightweight gas and refrigeration piping
- Ideal for single-pipe systems requiring elevation adjustment
- Suitable for most types of roofing materials or other flat surfaces
- Rubber-lined clamps are available in different sizes (sold and supplied by others)



LIMITED LIFETIME WARRANTY

MAY QUALIFY FOR L.E.E.D CREDITS

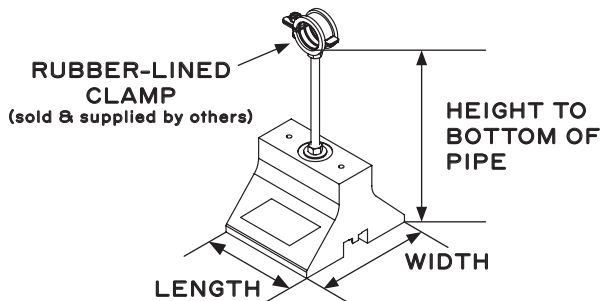
RECOMMENDED SPACING: REFER TO LOCAL CODE

 **CONSULT WITH A ROOFING CONSULTANT FOR ALLOWABLE LOADS.**



SKU	HEIGHT TO BOTTOM OF PIPE	WIDTH	LENGTH	WEIGHT	MAX. LOAD
CSE5-10	9.7" (246MM)	6" (152MM)	5" (127MM)	2.9 LBS	150 LBS

Note: All measurements may vary by +/- 3%



MATERIALS

- BASE (C-PORT CXM):**
100% RECYCLED RUBBER, UV RESISTANT
- CLAMP:**
RUBBER-LINED
- ROD:**
3/8" ZINC-PLATED ALL-THREADED ROD



Clearline
TECHNOLOGIES

info@clearline.ca

1-866-444-0009

www.c-port.net