

**WE SUPPORT YOU!**

SCAN FOR V-SPEC  
VIDEO SPECIFICATION



# CRE SERIES



- CRE Roller Support (Extension) Series
- Non-penetrating rooftop support
- Height to roller centre adjustable from 6.5" to 12"
- Designed to provide elevated support for gas and refrigeration piping
- Accommodates longitudinal pipe movement
- Suitable for most types of roofing materials or other flat surfaces

**LIMITED  
LIFETIME WARRANTY**

**MAY QUALIFY FOR  
L.E.E.D CREDITS**

**RECOMMENDED SPACING:  
REFER TO LOCAL CODE**

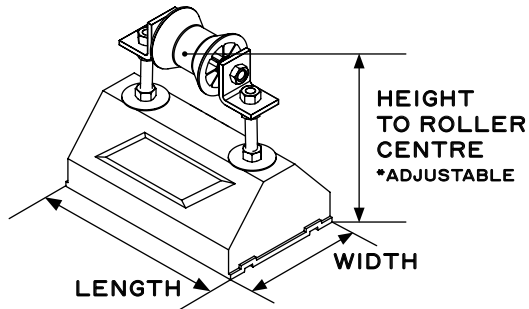
 **CONSULT WITH A ROOFING CONSULTANT  
FOR ALLOWABLE LOADS.**

**MADE WITH  
100%  
RECYCLED RUBBER**



SKU	PIPE SIZE	MAX. HEIGHT TO ROLLER CENTRE	WIDTH	LENGTH	WEIGHT	MAX. LOAD
CREIO-8-3	UP TO 3"	8" (203MM)	6" (152MM)	9.5" (241MM)	7.2 LBS	400 LBS
CREIO-8-4	3" TO 4"	8" (203MM)	6" (152MM)	9.5" (241MM)	7.2 LBS	400 LBS
CREIO-12-3	UP TO 3"	12" (305MM)	6" (152MM)	9.5" (241MM)	7.6 LBS	400 LBS
CREIO-12-4	3" TO 4"	12" (305MM)	6" (152MM)	9.5" (241MM)	7.7 LBS	400 LBS

**Note:** All measurements may vary by +/- 3%



### MATERIALS

**BASE (C-PORT CXP):**  
100% RECYCLED RUBBER,  
UV RESISTANT

**ROLLER:**  
TPO  
(THERMOPLASTIC POLYOLEFIN)

**ROD:**  
1/2"-13  
ZINC-PLATED  
ALL-THREADED



info@clearline.ca | 1-866-444-0009 | www.c-port.net