

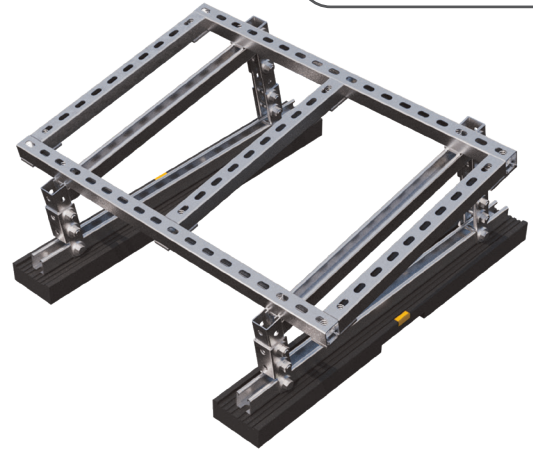
WE SUPPORT YOU!

SCAN FOR V-SPEC
VIDEO SPECIFICATION



CP SERIES

- CP Platform Series
- Non-penetrating, bring-to-level rooftop support
- Creates a level platform for equipment on sloped surfaces
- Designed to support HVAC and electrical equipment
- Free-flow leg design promotes drainage and prevents moss and mould
- Vari-angle brackets allow easy adjustment and are suitable for various equipment types
- Suitable for most types of roofing materials, including sloped surfaces
- Strut is available in corrosion-resistant galvanized steel, stainless steel, or aluminum



**LIMITED
LIFETIME WARRANTY**

**MAY QUALIFY FOR
L.E.E.D CREDITS**

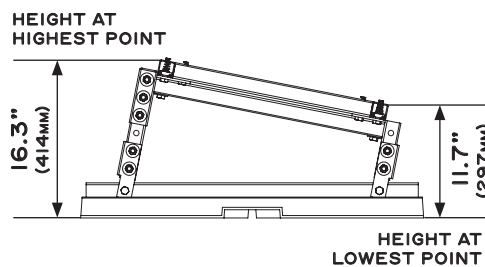
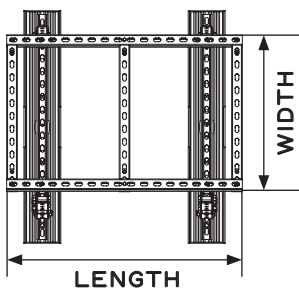
**RECOMMENDED SPACING:
REFER TO LOCAL CODE**

 **CONSULT WITH A ROOFING CONSULTANT
FOR ALLOWABLE LOADS.**



SKU	HEIGHT (HIGHEST POINT)	HEIGHT (LOWEST POINT)	WIDTH	LENGTH	NO. OF BASES	WEIGHT	MAX. UNIFORM LOAD
CP36-2436	16.3" (414MM)	11.7" (297MM)	24" (610MM)	36" (914MM)	2	84.2 LBS	2000 LBS
CP36-2448	16.3" (414MM)	11.7" (297MM)	24" (610MM)	48" (1219MM)	3	117.8 LBS	3000 LBS
CP36-2472	16.3" (414MM)	11.7" (297MM)	24" (610MM)	72" (1829MM)	3	125 LBS	3000 LBS

Note: All measurements may vary by +/- 3%



MATERIALS

BASE (C-PORT AP36):
100% RECYCLED RUBBER,
UV RESISTANT

STRUT:
12-GAUGE GALVANIZED STEEL STRUT
(1 5/8" HIGH)

PLATFORM:
GALVANIZED STEEL

VARI-ANGLE BRACKET:
1 7/8" X 1 7/8" 12-GAUGE
GALVANIZED STEEL



info@clearline.ca | 1-866-444-0009 | www.c-port.net

Revision Date: 03/2026