

WE SUPPORT YOU!

SCAN FOR V-SPEC
VIDEO SPECIFICATION



CE SERIES

- CE Channel Support (Extension) Series
- Non-penetrating rooftop support
- Adjustable height from 5" to 16"
- Ideal for sloped pipe installations
- Designed to support gas and refrigeration piping, cable trays, electrical conduit, HVAC equipment, and multiple-line rooftop systems
- Suitable for most types of roofing materials or other flat surfaces
- Accepts various straps and/or clamps (sold and supplied by others)
- Strut is available in corrosion-resistant galvanized steel, stainless steel, or aluminum



**LIMITED
LIFETIME WARRANTY**

**MAY QUALIFY FOR
L.E.E.D CREDITS**

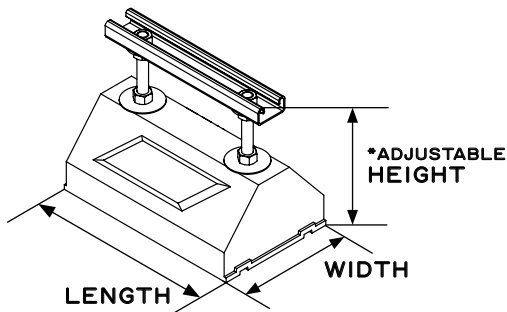
**RECOMMENDED SPACING:
REFER TO LOCAL CODE**

 **CONSULT WITH A ROOFING CONSULTANT
FOR ALLOWABLE LOADS.**



SKU	HEIGHT	WIDTH	LENGTH	WEIGHT	MAX. LOAD
CE10-8	8" (203MM)	6" (152MM)	9.5" (241MM)	6.6 LBS	400 LBS
CE10-12	12" (305MM)	6" (152MM)	9.5" (241MM)	7.1 LBS	400 LBS
CE10-16	16" (406MM)	6" (152MM)	9.5" (241MM)	7.5 LBS	400 LBS

Note: All measurements may vary by +/- 3%



MATERIALS

BASE (C-PORT CXP):
100% RECYCLED RUBBER,
UV RESISTANT

STRUT:
14-GAUGE GALVANIZED
STEEL
(13/16" HIGH)

ROD:
1/2"-13
ZINC-PLATED
ALL-THREADED



info@clearline.ca | 1-866-444-0009 | www.c-port.net

Revision Date: 06/2026