

**WE SUPPORT YOU!**

SCAN FOR V-SPEC  
VIDEO SPECIFICATION



ROOFTOP SUPPORT SOLUTIONS®  
**C-PORT**  
www.c-port.net  
**CESW  
SERIES**



- CESW Medium Duty Series
- Non-penetrating rooftop support
- Built on C-Port's wide-body base to provide elevated support for load-bearing applications
- Designed to support gas and refrigeration piping, cable trays, electrical conduit, HVAC equipment, and multiple-line rooftop systems
- Suitable for most types of roofing materials or other flat surfaces
- Compatible with one or two pipe hangers (sold and supplied by others)
- Strut is available in corrosion-resistant galvanized steel, stainless steel, or aluminum

**LIMITED  
LIFETIME WARRANTY**

**MAY QUALIFY FOR  
L.E.E.D CREDITS**

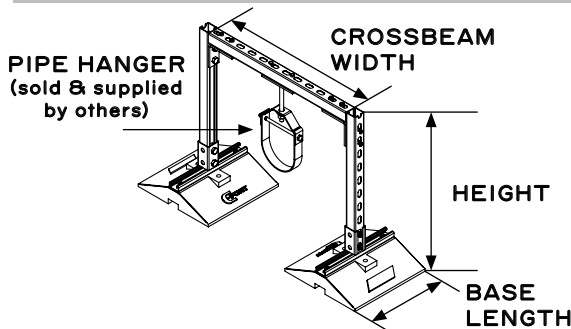
**RECOMMENDED SPACING:  
REFER TO LOCAL CODE**

 **CONSULT WITH A ROOFING CONSULTANT  
FOR ALLOWABLE LOADS.**



SKU	HEIGHT	CROSSBEAM WIDTH	BASE LENGTH	WEIGHT	MAX. CONCENTRATED LOAD
CESW12-2424	24" (610MM)	24" (610MM)	12" (305MM)	35.3 LBS	700 LBS
CESW12-3624	36" (914MM)	24" (610MM)	12" (305MM)	38.9 LBS	700 LBS
CESW12-4824	48" (1219MM)	24" (610MM)	12" (305MM)	45.6 LBS	700 LBS
CESW24-2424	24" (610MM)	24" (610MM)	24" (610MM)	56.6 LBS	700 LBS
CESW24-3624	36" (914MM)	24" (610MM)	24" (610MM)	59.9 LBS	700 LBS
CESW24-4824	48" (1219MM)	24" (610MM)	24" (610MM)	63.4 LBS	700 LBS

**Note:** All measurements may vary by +/- 3%



**MATERIALS**

**BASE (C-PORT CXW):**  
100% RECYCLED RUBBER,  
UV RESISTANT

**CROSSBEAM & VERTICAL STRUT:**  
12-GAUGE GALVANIZED STEEL  
(1 5/8" WIDE X 1 5/8" HIGH)

**STRUT:**  
14-GAUGE  
GALVANIZED  
STEEL  
(13/16" HIGH)



**Clearline™**  
TECHNOLOGIES

info@clearline.ca

1-866-444-0009

www.c-port.net