

WE SUPPORT YOU!

SCAN FOR V-SPEC
VIDEO SPECIFICATION



CESHW SERIES



- CESHW Heavy Duty Series
- Non-penetrating rooftop support
- Provides elevated support for heavy load-bearing applications
- Designed to support gas and refrigeration piping, cable trays, electrical conduit, HVAC equipment, and multiple-line rooftop systems
- Suitable for most types of roofing materials or other flat surfaces
- Accepts various straps and/or clamps (sold and supplied by others)
- Strut is available in corrosion-resistant galvanized steel, stainless steel, or aluminum

**LIMITED
LIFETIME WARRANTY**

**MAY QUALIFY FOR
L.E.E.D CREDITS**

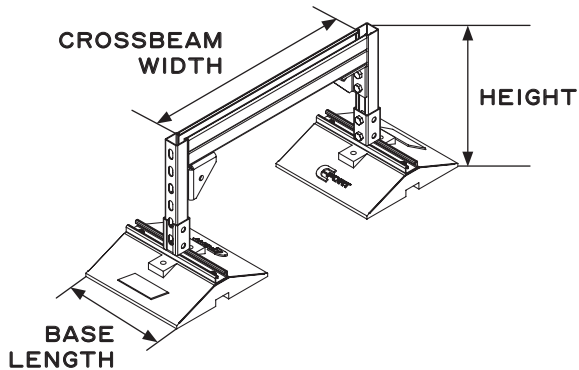
**RECOMMENDED SPACING:
REFER TO LOCAL CODE**

 **CONSULT WITH A ROOFING CONSULTANT
FOR ALLOWABLE LOADS.**



SKU	HEIGHT	CROSSBEAM WIDTH	BASE LENGTH	WEIGHT	MAX. UNIFORM LOAD
CESHWI2-I624	16" (406MM)	24" (610MM)	12" (305MM)	38.4 LBS	2800 LBS
CESHWI2-I636	16" (406MM)	36" (914MM)	12" (305MM)	42.2 LBS	2800 LBS

Note: All measurements may vary by +/- 3%



MATERIALS

BASE (C-PORT CXW12):
100% RECYCLED RUBBER, UV RESISTANT

STRUT:
14-GAUGE GALVANIZED STEEL STRUT (13/16" HIGH)

CROSSBEAM & VERTICAL STRUT:
12-GAUGE GALVANIZED STEEL STRUT
(1 5/8" WIDE X 3 1/4" HIGH) - CROSSBEAM
(1 5/8" WIDE X 1 5/8" HIGH) - VERTICAL STRUT



info@clearline.ca | 1-866-444-0009 | www.c-port.net

Revision Date: 03/2026