

WE SUPPORT YOU!

SCAN FOR V-SPEC
VIDEO SPECIFICATION



CB SERIES




- CB Channel Support (Bridge) Series
- Non-penetrating rooftop support
- Bridges over existing lines to support rooftop systems
- Designed to support wide loads and multiple parallel lines, including ductwork, cable trays, gas and refrigeration piping, and electrical conduit
- Suitable for most types of roofing materials or other flat surfaces
- Accepts various straps and/or clamps (sold and supplied by others)
- Strut is available in corrosion-resistant galvanized steel, stainless steel, or aluminum

**LIMITED
LIFETIME WARRANTY**

**MAY QUALIFY FOR
L.E.E.D CREDITS**

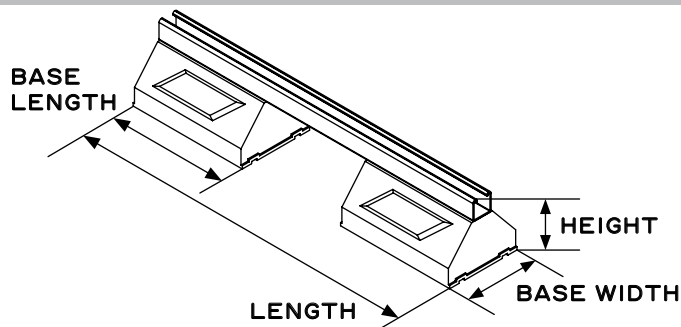
**RECOMMENDED SPACING:
REFER TO LOCAL CODE**

 **CONSULT WITH A ROOFING CONSULTANT
FOR ALLOWABLE LOADS.**



SKU	HEIGHT	BASE WIDTH	BASE LENGTH	LENGTH	WEIGHT	MAX. UNIFORM LOAD
CBIO-28	5.6" (142MM)	6" (152MM)	9.5" (241MM)	28" (711MM)	14.2 LBS	1600 LBS
CBIO-36	5.6" (142MM)	6" (152MM)	9.5" (241MM)	36" (914MM)	15.7 LBS	1600 LBS
CBIO-42	5.6" (142MM)	6" (152MM)	9.5" (241MM)	42" (1067MM)	16.6 LBS	1600 LBS
CBIO-50	5.6" (142MM)	6" (152MM)	9.5" (241MM)	50" (1270MM)	17.9 LBS	1300 LBS
CBIO-60	5.6" (142MM)	6" (152MM)	9.5" (241MM)	60" (1524MM)	19.5 LBS	1200 LBS

Note: All measurements may vary by +/- 3%



MATERIALS

BASE (C-PORT CXP):
100% RECYCLED RUBBER, UV RESISTANT

STRUT:
12-GAUGE GALVANIZED STEEL
(1 5/8" HIGH)



info@clearline.ca | 1-866-444-0009 | www.c-port.net