

WE SUPPORT YOU!

SCAN FOR V-SPEC
VIDEO SPECIFICATION



CB SERIES



- CB Channel Support (Bridge) Series
- Non-penetrating rooftop support
- Bridges over existing lines to support rooftop systems
- Designed to support wide loads and multiple parallel lines, including ductwork, cable trays, gas and refrigeration piping, and electrical conduit
- Suitable for most types of roofing materials or other flat surfaces
- Accepts various straps and/or clamps (sold and supplied by others)
- Strut is available in corrosion-resistant galvanized steel, stainless steel, or aluminum

**LIMITED
LIFETIME WARRANTY**

**MAY QUALIFY FOR
L.E.E.D CREDITS**

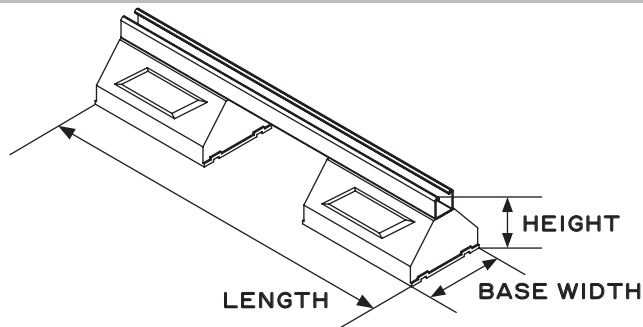
**RECOMMENDED SPACING:
REFER TO LOCAL CODE**

 **CONSULT WITH A ROOFING CONSULTANT
FOR ALLOWABLE LOADS.**



SKU	HEIGHT	BASE WIDTH	LENGTH	WEIGHT	MAX. UNIFORM LOAD
CB10-28	5.6" (142mm)	6" (152mm)	28" (711mm)	14.2 LBS	1600 LBS
CB10-36	5.6" (142mm)	6" (152mm)	36" (914mm)	15.7 LBS	1600 LBS
CB10-42	5.6" (142mm)	6" (152mm)	42" (1067mm)	16.6 LBS	1600 LBS
CB10-50	5.6" (142mm)	6" (152mm)	50" (1270mm)	17.9 LBS	1300 LBS
CB10-60	5.6" (142mm)	6" (152mm)	60" (1524mm)	19.5 LBS	1200 LBS

Note: All measurements may vary by +/- 3%



MATERIALS

BASE (C-PORT CXP):
100% RECYCLED RUBBER, UV RESISTANT

STRUT:
12-GAUGE GALVANIZED STEEL STRUT
(1 5/8" HIGH)



Clearline™
TECHNOLOGIES

info@clearline.ca

1-866-444-0009

www.c-port.net

Revision Date: 03/2026