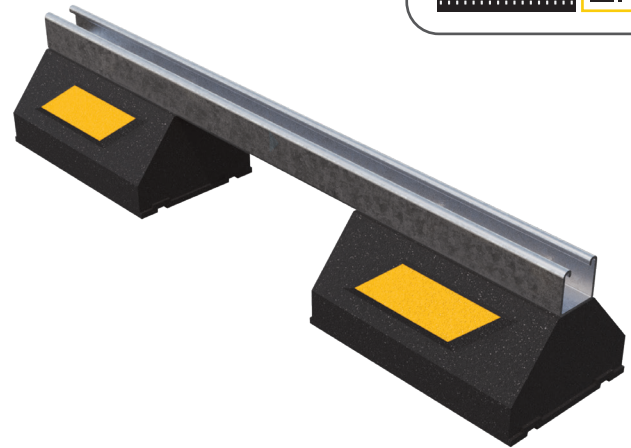


WE SUPPORT YOU!

SCAN FOR V-SPEC
VIDEO SPECIFICATION




CB SERIES

- CB Channel Support Series
- Supports wide loads like ducts and cable trays
- Handles multiple parallel gas pipes, refrigeration lines, or conduit
- Bridges over existing lines for added clearance
- Accepts various straps and/or clamps (sold and supplied by others)
- Strut is available in corrosion-resistant galvanized steel, stainless steel, or aluminum

**LIMITED
LIFETIME WARRANTY**

**MAY QUALIFY FOR
L.E.E.D CREDITS**

**RECOMMENDED SPACING:
REFER TO LOCAL CODE**

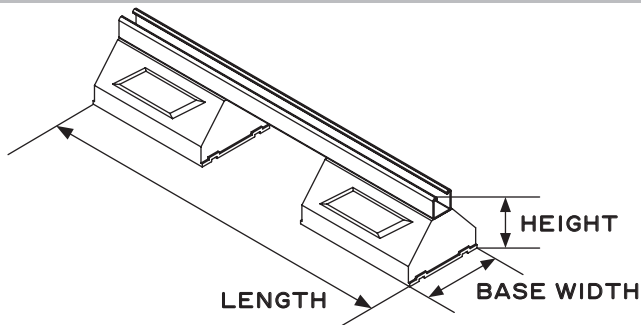
 **CONSULT WITH A ROOFING CONSULTANT
FOR ALLOWABLE LOADS.**

**MADE WITH
100%
RECYCLED RUBBER**



SKU	HEIGHT	BASE WIDTH	LENGTH	WEIGHT	MAX. UNIFORM LOAD
CB10-28	5.6" (142mm)	6" (152mm)	28" (711mm)	14.2 LBS	1600 LBS
CB10-36	5.6" (142mm)	6" (152mm)	36" (914mm)	15.7 LBS	1600 LBS
CB10-42	5.6" (142mm)	6" (152mm)	42" (1067mm)	16.6 LBS	1600 LBS
CB10-50	5.6" (142mm)	6" (152mm)	50" (1270mm)	17.9 LBS	1300 LBS
CB10-60	5.6" (142mm)	6" (152mm)	60" (1524mm)	19.5 LBS	1200 LBS

Note: All measurements may vary by +/- 3%



MATERIALS

BASE (C-PORT CXP):
100% RECYCLED RUBBER, UV RESISTANT

STRUT:
12-GAUGE GALVANIZED STEEL STRUT
(1 5/8" HIGH)



info@clearline.ca | 1-866-444-0009 | www.c-port.net

Revision Date: 01/2026