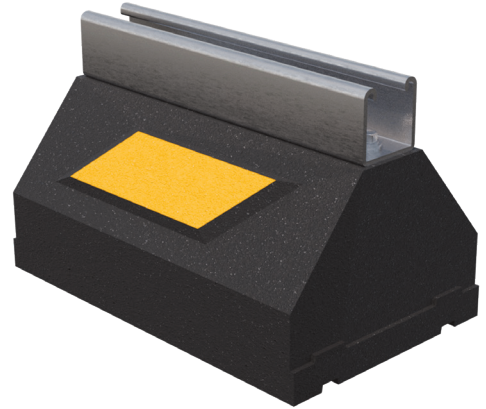


WE SUPPORT YOU!

SCAN FOR V-SPEC
VIDEO SPECIFICATION



C600 SERIES



- C600 Channel Support Series
- Non-penetrating rooftop support
- Additional height over the C500 Series
- Built to meet building code height requirements
- Designed to support gas and refrigeration piping, cable trays, electrical conduit, HVAC equipment, and multiple-line rooftop systems
- Suitable for most types of roofing materials or other flat surfaces
- Accepts various straps and/or clamps (sold and supplied by others)
- Strut is available in corrosion-resistant galvanized steel, stainless steel, or aluminum

**LIMITED
LIFETIME WARRANTY**

**MAY QUALIFY FOR
L.E.E.D CREDITS**

**RECOMMENDED SPACING:
REFER TO LOCAL CODE**



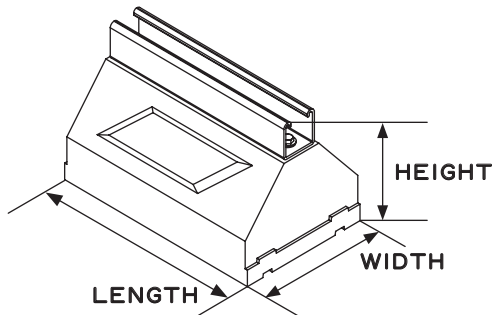
CONSULT WITH A ROOFING CONSULTANT
FOR ALLOWABLE LOADS.



**MADE WITH
100%
RECYCLED RUBBER**

SKU	HEIGHT	WIDTH	LENGTH	WEIGHT	MAX. LOAD
C610	6.1" (155MM)	6" (152MM)	9.5" (241MM)	7.2 LBS	800 LBS PER 9.5" LENGTH
C620	6.1" (155MM)	6" (152MM)	19.3" (490MM)	15.5 LBS	
C630	6.1" (155MM)	6" (152MM)	29" (737MM)	23.2 LBS	
C640	6.1" (155MM)	6" (152MM)	38.8" (986MM)	31 LBS	
C648	6.1" (155MM)	6" (152MM)	48.5" (1232MM)	38.9 LBS	

Note: All measurements may vary by +/- 3%



MATERIALS

BASE (C-PORT CXP-T):
100% RECYCLED RUBBER, UV RESISTANT

STRUT:
12-GAUGE GALVANIZED STEEL STRUT
(1 5/8" HIGH)



Clearline™
TECHNOLOGIES

info@clearline.ca

1-866-444-0009

www.c-port.net

Revision Date: 03/2026