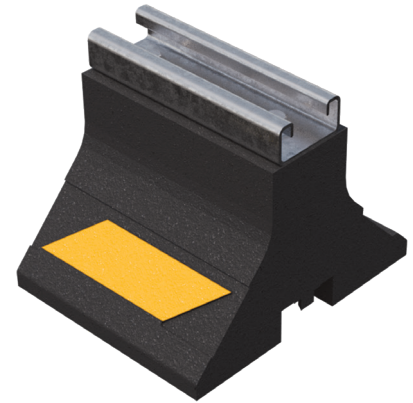


WE SUPPORT YOU!

SCAN FOR V-SPEC
VIDEO SPECIFICATION



C5 SERIES




- C5 Channel Support Series
- Non-penetrating rooftop support
- Designed to support small conduit and piping across solar, telecom, and a wide range of rooftop applications
- Suitable for most types of roofing materials or other flat surfaces
- Accepts various straps and/or clamps (sold and supplied by others)
- Strut is available in corrosion-resistant galvanized steel, stainless steel, or aluminum

LIMITED
LIFETIME WARRANTY

MAY QUALIFY FOR
L.E.E.D CREDITS

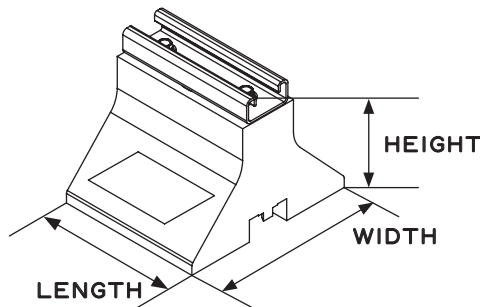
RECOMMENDED SPACING:
REFER TO LOCAL CODE

 CONSULT WITH A ROOFING CONSULTANT
FOR ALLOWABLE LOADS.



SKU	HEIGHT	WIDTH	LENGTH	WEIGHT	MAX. LOAD
C5	4.8" (122mm)	6" (152mm)	5" (127mm)	2.8 LBS	300 LBS

Note: All measurements may vary by +/- 3%



MATERIALS

BASE (C-PORT CXM):
100% RECYCLED RUBBER, UV RESISTANT

STRUT:
14-GAUGE GALVANIZED STEEL STRUT
(13/16" HIGH)



info@clearline.ca | 1-866-444-0009 | www.c-port.net

Revision Date: 03/2026