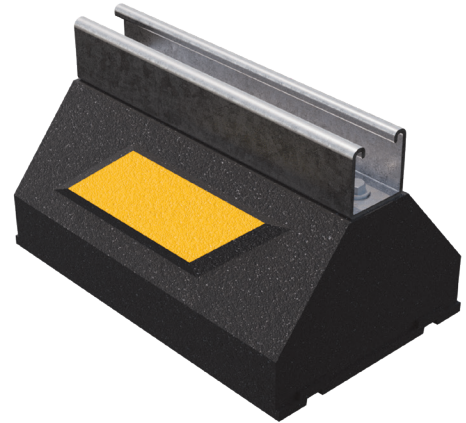


**WE SUPPORT YOU!**

SCAN FOR V-SPEC  
VIDEO SPECIFICATION



# C500 SERIES



- C500 Channel Support Series
- Non-penetrating rooftop support
- Additional height over the C Series
- Built to meet building code height requirements
- Designed to support gas and refrigeration piping, cable trays, electrical conduit, HVAC equipment, and multiple-line rooftop systems
- Suitable for most types of roofing materials or other flat surfaces
- Accepts various straps and/or clamps (sold and supplied by others)
- Strut is available in corrosion-resistant galvanized steel, stainless steel, or aluminum

**LIMITED  
LIFETIME WARRANTY**

**MAY QUALIFY FOR  
L.E.E.D CREDITS**

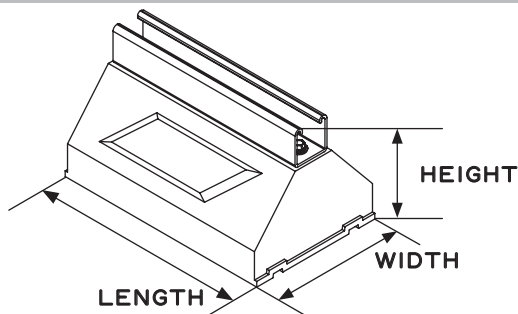
**RECOMMENDED SPACING:  
REFER TO LOCAL CODE**

 **CONSULT WITH A ROOFING CONSULTANT  
FOR ALLOWABLE LOADS.**



SKU	HEIGHT	WIDTH	LENGTH	WEIGHT	MAX. LOAD
C510	5.6" (142MM)	6" (152MM)	9.5" (241MM)	6.3 LBS	800 LBS PER 9.5" LENGTH
C520	5.6" (142MM)	6" (152MM)	19.3" (490MM)	12.9 LBS	
C530	5.6" (142MM)	6" (152MM)	29" (737MM)	19.4 LBS	
C540	5.6" (142MM)	6" (152MM)	38.8" (986MM)	26 LBS	
C548	5.6" (142MM)	6" (152MM)	48.5" (1232MM)	32.5 LBS	

**Note:** All measurements may vary by +/- 3%



## MATERIALS

**BASE (C-PORT CXP):**  
100% RECYCLED RUBBER, UV RESISTANT

**STRUT:**  
12-GAUGE GALVANIZED STEEL STRUT  
(1 5/8" HIGH)



**Clearline™**  
TECHNOLOGIES

info@clearline.ca

1-866-444-0009

www.c-port.net

Revision Date: 03/2026